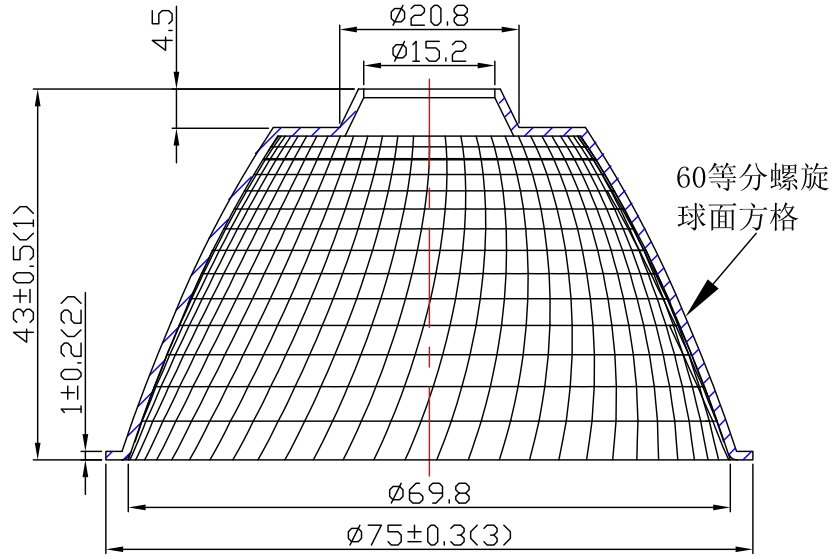
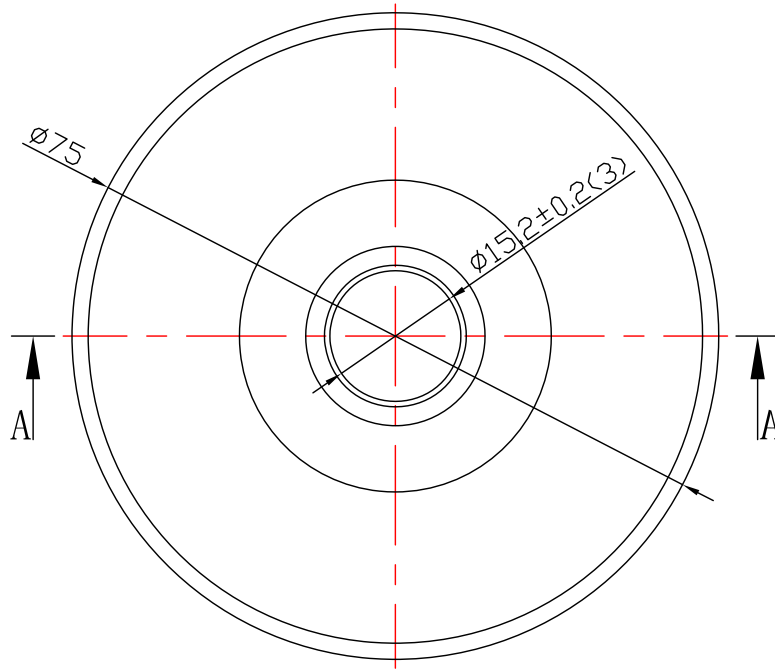


table for unmentioned tolerance in the drawing (unit: mm)			punch angle tolerance in the drawing (unit: degree)		
0-5	5-30	30-120	0-10	10-50	50-120
±0.15	±0.2	±0.5	±1°	±0.5°	±0.3°
120-250	250-400	400-700	120-250	250-360	360 above
±0.8	±1.5	±2	±0.2°	±0.166°	±0.083°



A — A



Light Source	Luminus CXM-14
PlasticHolder	
Metal Adaptor	
Design Angle	15° ±3°
Measured Angle	
Efficiency	

						Material :1.0 1090AL		Nata [®]	
KO	1							Customer Item	
Mark	Amended Times	Amended Content		Signature	Amended Date			Customer Code	NT
Control Version	A0	Design Version	KO	Client Version				Product Number	
Designer		Drawing by		Proportion	1:1			Product Name	2-1103-E
Technology		Auditor		View					
Approval		Date	2019.03.28	Page	Total_ Page_				